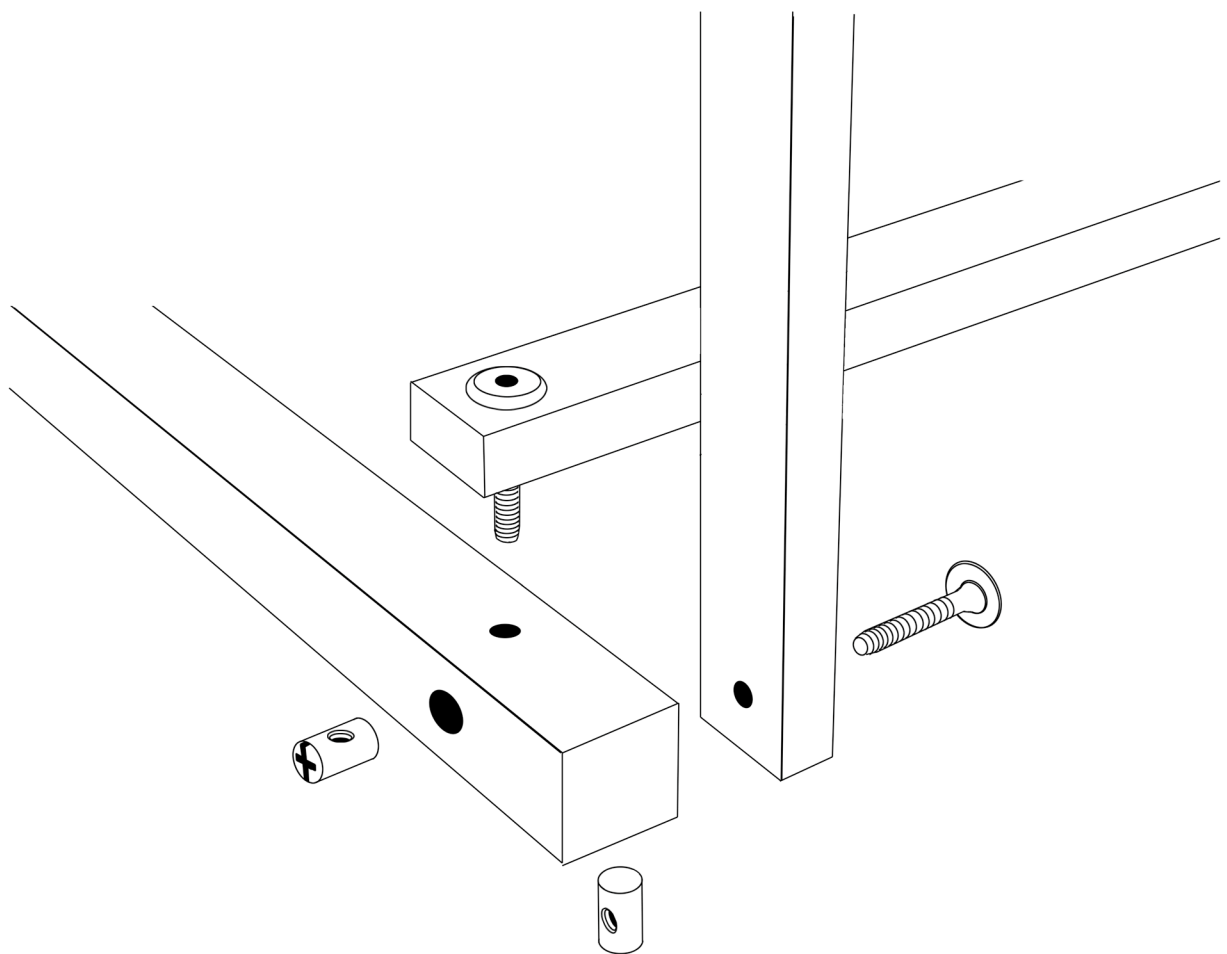


**DANIEL ARGYLE**

**UNTITLED 2008**



**ASSEMBLY INSTRUCTIONS FOR FLAT-PACKABLE SCULPTURE**

**IMPORTANT:** Use only the hardware and fixings provided. If substitutions need to be made, consult the artist.

## STEP 1:

This method requires two people in order to support sculpture while it is being built in the upright position. One person can build sculpture by assembling it horizontally, on a table, after reading all instructions and gaining an understanding of what is required.

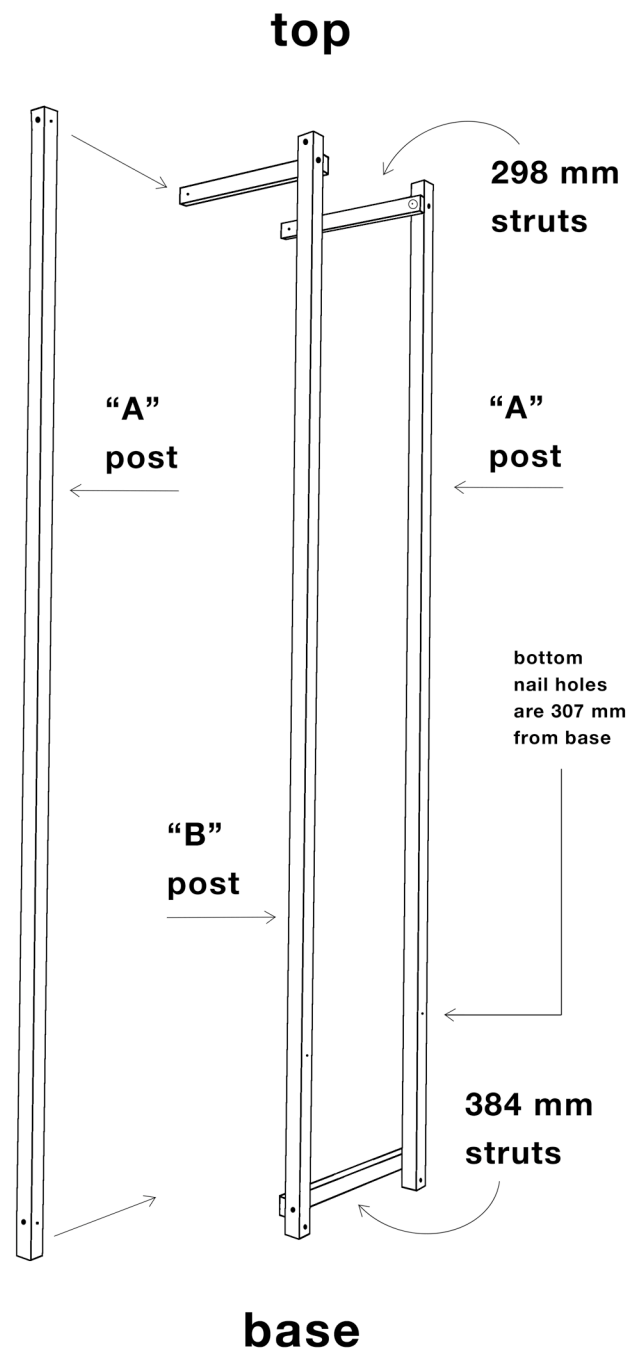
Identify two “A” posts and two “B” posts. Note that posts are unmarked so observe differences in configuration of holes. Observe also that first nail hole up is 307 mm from base – this dimension indicates the base of the post, and will help differentiate the two different types of post.

Locate two 298 mm struts and two 384 mm struts.

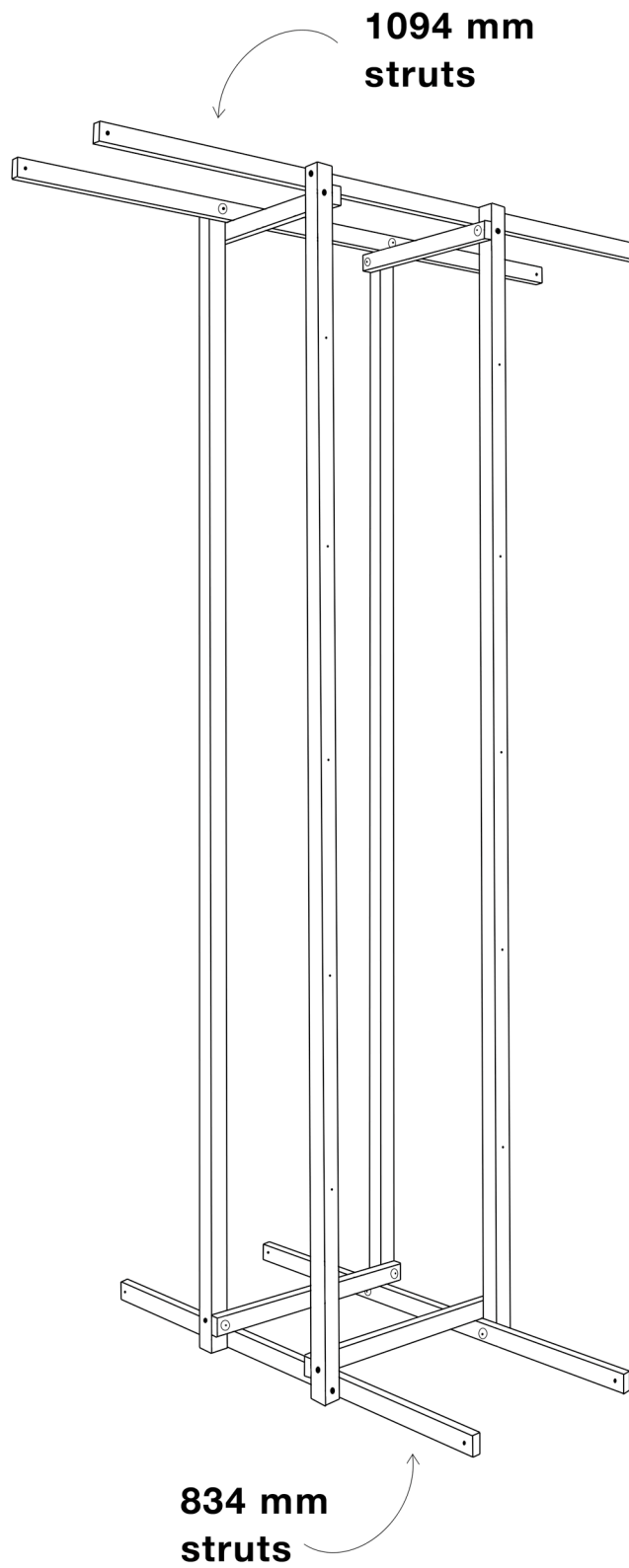
Observe diagram on right, noting that “A” posts are diagonally opposite each other. Insert a nut into the larger of the top two holes at the top of an “A” post. Insert a cross-tipped screwdriver into the hole and rotate the nut so that post and nut holes align. Bolt a 298 mm strut onto the top of the post, using the screwdriver to maintain alignment of the holes.

Locate a “B” post at the other end of the strut, observing the orientation of the holes in the diagram. Bolt the strut to the post as described in previous paragraph.

Bolt two 384 mm struts to the base of the posts, and bolt the remaining “A” and “B” posts to the struts. Now bolt on the remaining 298 mm strut.



Now bolt the 1094 mm and 834 mm struts to the top and base of the sculpture, as indicated in the diagram.



## STEP 2:

Insert nails into all the holes except the top four. Specific gold-coloured nails have been supplied for this purpose, and only these nails should be used. Nails can be pushed into the wood slightly to prevent them from falling out. Do not use a hammer, pliers are recommended.

Carefully attach the cardboard collars according to the diagram below (Y = Yellow, B = Brown). Ensure that the seams of collars alternate in a manner matching the diagram below.

